

MY HALLOWEEN OBSESSION

<http://www.home.earthlink.net/~halloweenobsession/halloween/Projects/coffin.html>

Sit-up Coffin Mechanism

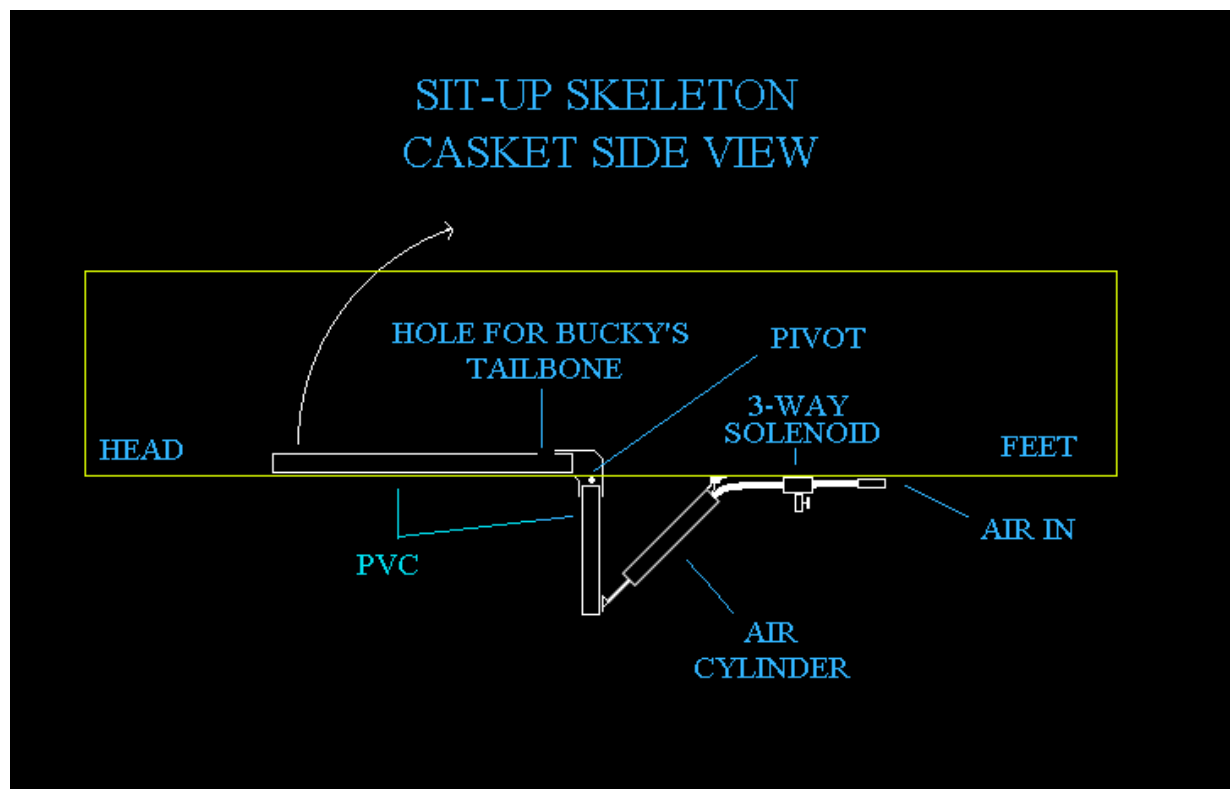
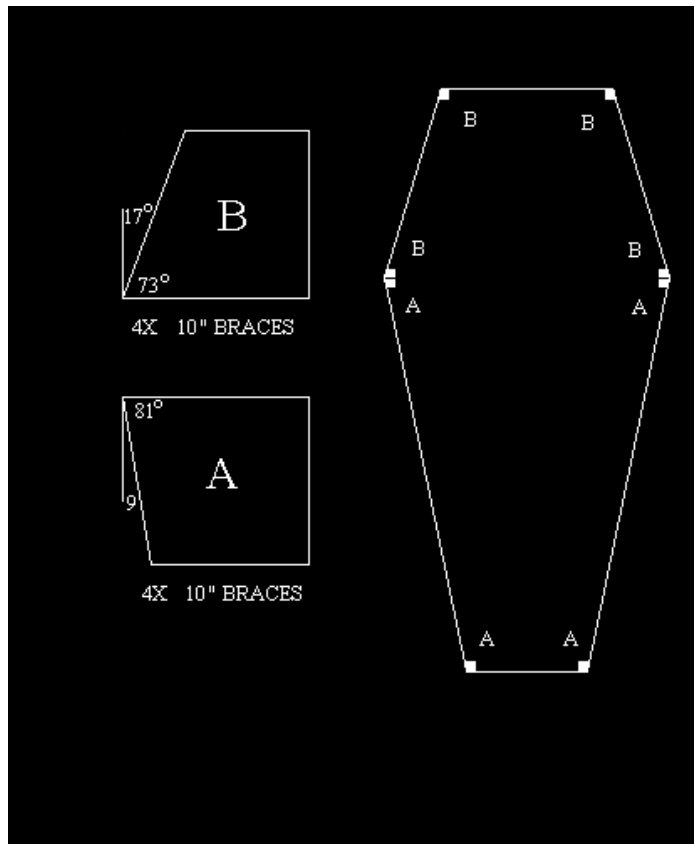


I am not the first on the list to do this, but this is my version. I made an L-shaped bracket out of 1 inch PVC pipe and an 90 degree ell. Next, I drilled a hole through the ell for a pivot rod, which is bolted to the bottom of the casket using a pair or U-bolts.

Bucky's tailbone sits in a hole in the PVC and his neck is strapped to the end of the pipe. I removed the pins that attach his legs to the pelvis, and replace them with small bungy cords. This gave him a lot more flexibility.

The air cylinder is attached between the PCV bracket and the bottom of the casket. The cylinder is attached to a 3-way solenoid. When the solenoid is activated, air is let into the cylinder making Bucky sit up. When the solenoid is deactivated, the air from the cylinder is vented through a needle valve which controls the speed at which Bucky lays down, so Bucky does not slam back into the casket.

Obtained from
Omarshauntedtrail.com



Obtained from
Omarshauntedtrail.com