

How to Build a Cemetery Fence

By Ron Yemmans II

People Will Be Dieing To Get In.

Visit Us at

www.halloweenpropshop.com

Suggestions or Comments

Contact me at: the_count@halloweenpropshop.com

July 02, 2005

Ron a.k.a. The Count

Disclaimer

Project design plans and information terms and conditions:

- The information obtained from within this document and/or web site is provided “AS IS”, without warranty, expressed or implied, as to the merchantability or fitness for any purpose.
- The reader(s) and/or user(s) acknowledge that the information obtained from within this document and/or web site is to be considered experimental and dangerous to people that have not been professionally trained to handle such information and/or equipment described within said document and/or web site.
- Any person(s) reading and/or using the information obtained from this document and/or web site accepts full responsibility and all liability for any outcomes expected or unexpected that may occur while using said information including but not limited to, the equipment used in the construction of produced object(s), or the operation of the constructed object(s) from said information.
- Any person(s) reading and/or using the information obtained from this document and/or web site agrees that he/she/they will not hold Ronald Yemmans II (abbreviated RRYII), family members of RRYII, friends of RRYII, employees of RRYII, associates of RRYII, agents of RRYII, web sites of RRYII, web sites associated with RRYII, organizations associated with RRYII, companies of RRYII, and companies associated with RRYII, liable for any damages that may occur while using this information or the resulting tangible equipment produced from said information.
- Any person(s) reading and/or using the information obtained from this document and/or web site understands in full that said information may be modified in the future without notice.
- Any person(s) reading and/or using the information obtained from this document and/or web site agrees to hire a professional engineering company to evaluate and make all necessary modifications to this information to satisfy his/her/their requirements.
- Reading and/or using the information contained within this document and/or web site constitutes acceptance of all current and any additional future terms and conditions.
- In the event that the readers and/or users (of the information obtained from this document and/or web site) local and state laws do not provide for such limitations as stated above then the reader(s) and/or user(s) agrees that any and all legal action taken will be pursued in the state in which Ronald Yemmans II resides in at the time of said legal action and that the maximum financial liability of said legal action shall not exceed the original purchase price of said information.

Bill of Materials

I recommend a minimum of 5 sections of Cemetery fence. This allows you to create a Cemetery 6 feet deep by 18 feet wide. Your cemetery will look very impressive when placed against the front of your house. If you go all out and build 12 sections you end up with a cemetery 18 feet deep by 36 feet wide. The kids will absolutely love it. Consider an opening between 2 sections which forces the kids to walk up through the cemetery to get their candy.

Description	QTY 1 - Section	QTY 5 - Sections	QTY 7 - Sections	QTY 12 - Sections
10' Long - 1/2" SCH 40 PVC Pipe	3	15	21	36
1" x 2" x 8' Firing Strip	2	10	14	24
1-1/4" Black Dry Wall Screws	18	90	126	225
Skull Whistles (Pole Toppers)	9	45	63	108
Flat Black Spray Paint 12 - 13 oz.	1	5	7	12
Rebar/rod 24" long 1/2" Diameter	2	10	14	24
Spray Paint Handle (optional)				

Notes:

Buy the Spray Handle for the spray paint cans. Your index finger will thank me.

The 1" x 2" x 6' Furring strip actually/usually measure 3/4" x 1-1/2" x 6'. I have found that the last 6" to 8" are curved on each end. This is why I decided to cut 12" off each end and have my 1" x 2" x 6'. The main reason I decided on 6' fence sections is due to the fact that they are much easier to store than 8' sections.

Tools:

Hand Drill – Small drill press helps when drilling pipe holes through wood but is not necessary.

Drill Bit – 7/8" spade bit and set of regular bits.

Regular Drill Bit Set – Drill pilot holes for drywall screws

Screw driver – for drywall screws

Work Bench

Saw – to cut pipe

Tape Measure

Marking Pencil or Marker

Straight Edge

STEP 1

Cut each piece of the 10' long PVC pipe into:

- (1) 48" piece
- (2) 36" pieces

See Diagram 1, will require each pipe to have 2 cuts made. Clean up plastic shavings on inside cut edge in pipe. You will see what I mean. The ½" PVC Schedule 40 pipe actually has an outer diameter of about ¾".

STEP 2

Mark all hole locations (where PVC pipe will slide through) on the face (2" wide side) of the 1" x 2" x 6' furring strip.

See Diagram 2

STEP 3

Drill the holes in the face (2" side of furring strip) on the marks you made in STEP 2 using a 7/8" spade drill bit:

- 9 holes per piece of furring strip
- Drill slowly and straight
- If you have a drill press you can clamp 2 pieces of furring strip together and minimize the time you spend drilling holes. The holes will also be straighter than using a hand drill.

See Diagram 3

STEP 4

Lay all cut pipe and drilled wood on large piece of cardboard or newspapers and spray paint them black.

- Spray paint exposed surface, allow them to dry, rotate each and repeat, until all surfaces are covered in FLAT BLACK spray paint.
- Try to get holes in furring strip completely coated with paint. It tends to rain once in a while during the month of October in Michigan.

Allow to dry completely – Overnight if possible

STEP 5

Take 2 pieces of the 6' furring strip (with pipe holes drilled in them) and lay them (on 1" side) parallel to each other about 24" apart and line the ends up on a flat surface (workbench):

See Diagram 4

STEP 6

Insert three of the 48" pieces of PVC pipe into the holes marked "B":

- Be careful when inserting the pipe, you want to minimize how much paint you scratch off it.

See Diagram 5

STEP 7

Using a measuring tape, measure 12” from the outer side of the furring strip, to the closest end of the 48” PVC pipe (“B”).

See Diagram 5

STEP 8

Drill pilot holes (for drywall screws) where the “B” pipe and furring strips intersect:

- Be careful not to drill all the way through the other side of furring strip.
- Drill the holes large enough to allow the screws to go in fairly easy. If you make the holes to small the screw might split the wood.

See Diagram 6

STEP 9

Carefully screw in drywall screws in the pilot holes drilled in previous STEP:

- Be careful not to over tighten the screws as it may cause the wood to CRACK.
-

STEP 10

Insert the 36” pieces of PVC pipe into the holes marked “A”:

- Be careful when inserting the pipe, you want to minimize how much paint you scratch off it.

See Diagram 7

STEP 11

Drill pilot holes where the “A” pipe and furring strips intersect:

- Be careful not to drill all the way through the other side of furring strip.

See Diagram 8

STEP 12

Carefully screw in drywall screws in the pilot holes drilled in previous STEP:

- Be careful not to over tighten the screws as it may cause the wood to CRACK.
-

STEP 13

Touch up any places where you might have scratched the paint off the PVC pipe.

Congratulation – You have completed building a section of Cemetery fence. Now build as many sections as you need.

STEP 14 – Installing – Setting Up The Fence

Carefully lay the fence section on the ground with the ends of the outer 2 (48”) pipes where you want them to be when the fence section is standing.

STEP 15

Hammer a piece of the 24” long rebar/rod into the ground at the base of the outer 2 (48”) pipes:

- You should now have a section of fence laying flat on the ground with 2 pieces of rebar/rod sticking straight up aligned with the outer 2 (48”) sections of pipe.
- Make sure that pound the rebar/rod at least 14” into the ground. You do not want the weight of the fence section pressing on the lower drywall screws. The weight may cause the screws to break.

See Diagram 9

STEP 16

Carefully lift the fence section off the ground and slide the outer 2 (48”) PVC pipes over their respective rebar/rod sticking out of the ground.

See Diagram 10

STEP 17

Repeat the steps listed above for as many sections of fence that you built.

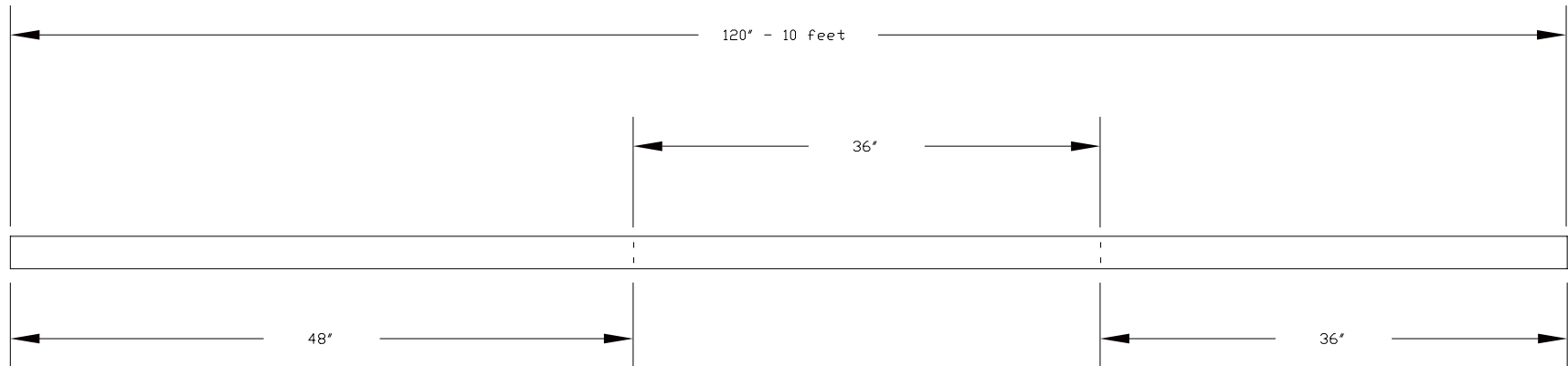
STEP 18

Once you have all of your fence sections up insert the skull whistles into the top of each pipe and paint.

- I painted mine flat black to match the poles. I have seen the whistles placed in the pipes unpainted which also looks very good.

See Diagram 10

Top View of 10' PVC Pipe



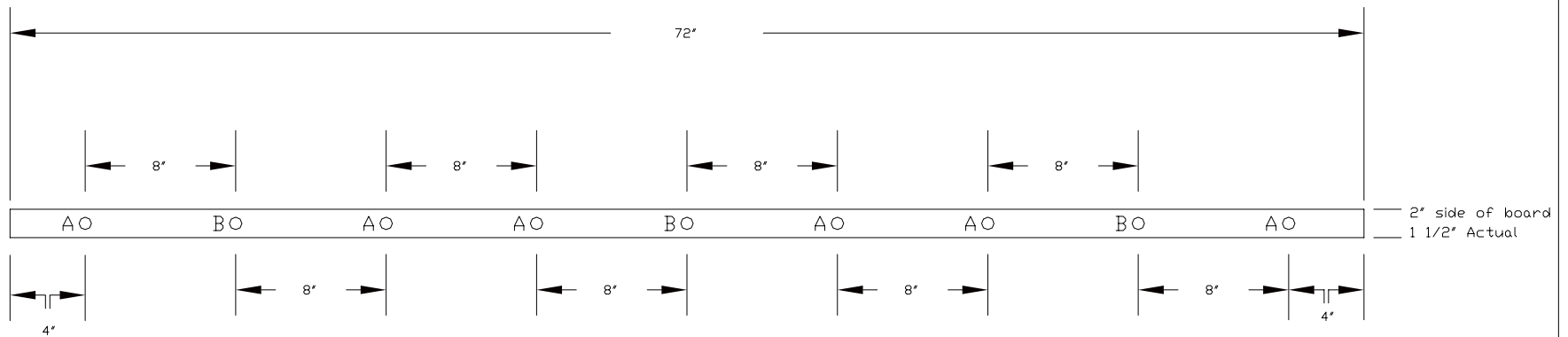
Notes:

- 1) Make 2 Cuts So The Resulting Pieces Are (1) At 48" Long And (2) at 36" Long.

Notes: (C) Copyright Ronald Yemmans II - All Rights Reserved

Project Name: Cemetery Fence	File Name: Diagram 1	Supplier: the_count@halloweenpropshop.com	Part Number: N/A
Created By: Ronald Yemmans	Date Created: 10/05/2003	Revised By: Ronald Yemmans	Date Revised: 07/02/2005
			Sheet Number: N/A

Top View (2" Face) of 1" x 2" x 6' Firing Strip



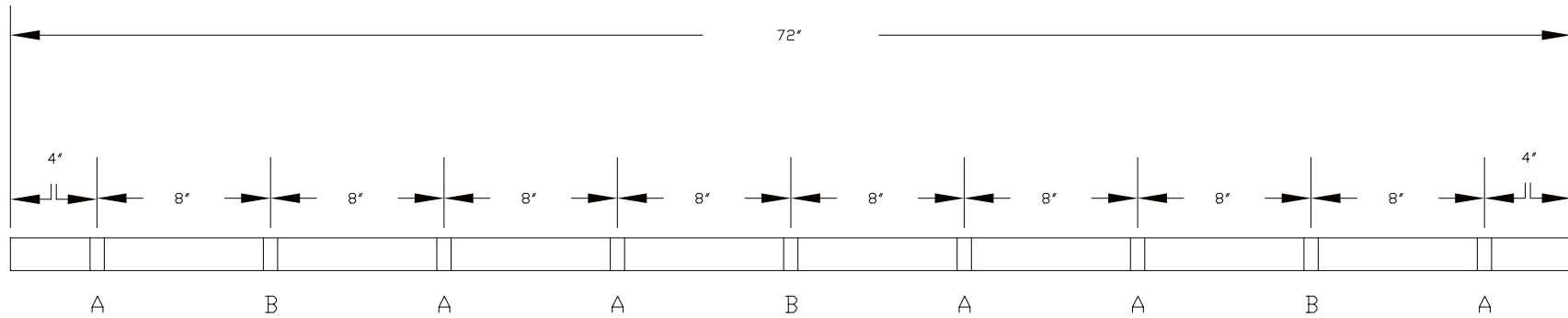
Notes:

- 1) Distance between holes is 8".
- 2) Distance from end of board to closest hole is 4".
- 3) Holes (A & B) Diameter is 7/8".
- 4) 1" x 2" is usually/typically 3/4" x 1-1/2" In ACTUAL Physical Size.

Notes: (C) Copyright Ronald Yemmans II - All Rights Reserved

Project Name: Cemetery Fence	File Name: Diagram 2	Supplier: the_count@halloweenpropshop.com	Part Number: N/A
Created By: Ronald Yemmans	Date Created: 10/05/2003	Revised By: Ronald Yemmans	Date Revised: 07/02/2005
			Sheet Number: N/A

Side View (1" Face) of 1" x 2" x 6' Firing Strip



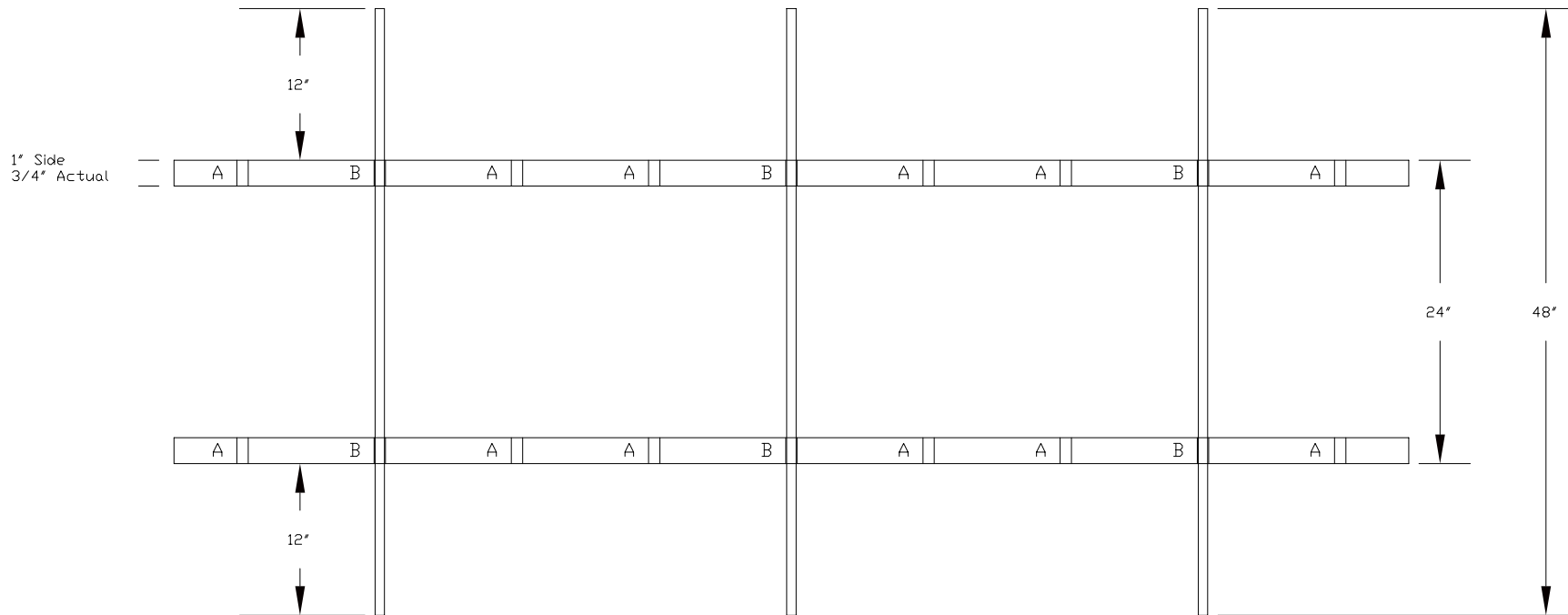
Notes:

- 1) "A" Holes are where the 36" pieces of pipe will be located.
- 2) "B" Holes are where the 48" pieces of pipe will be located.
- 3) Vertical lines above holes represent the 7/8" holes drilled in Step 3.

Notes: (C) Copyright Ronald Yemans II - All Rights Reserved

Project Name: Cemetery Fence	File Name: Diagram 3	Supplier: the_count@halloweenpropshop.com	Part Number: N/A
Created By: Ronald Yemans	Date Created: 10/05/2003	Revised By: Ronald Yemans	Date Revised: 07/02/2005
			Sheet Number: N/A

Side View (1" Face) of 1" x 2" x 6' Firing Strip



Notes:

- 1) Slide 3 Pieces of The 48" PVC Pipe Through The Holes Marked "B".

Notes: (C) Copyright Ronald Yemmans II - All Rights Reserved

Project Name: Cemetery Fence

File Name: Diagram 4

Supplier: the_count@halloweenpropshop.com

Part Number: N/A

Created By: Ronald Yemmans

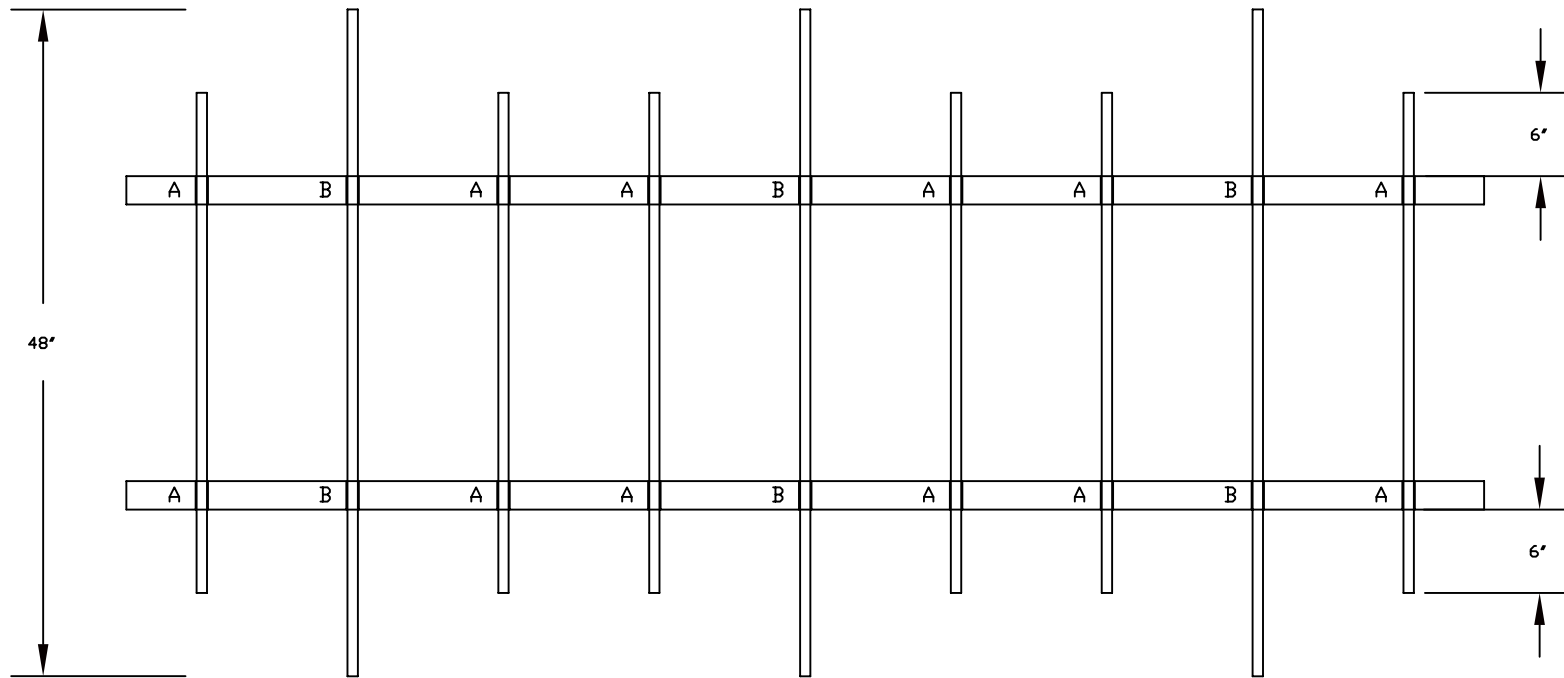
Date Created: 10/05/2003

Revised By: Ronald Yemmans

Date Revised: 07/02/2005

Sheet Number: N/A

Side View (1" Face) of 1" x 2" x 6' Firing Strip



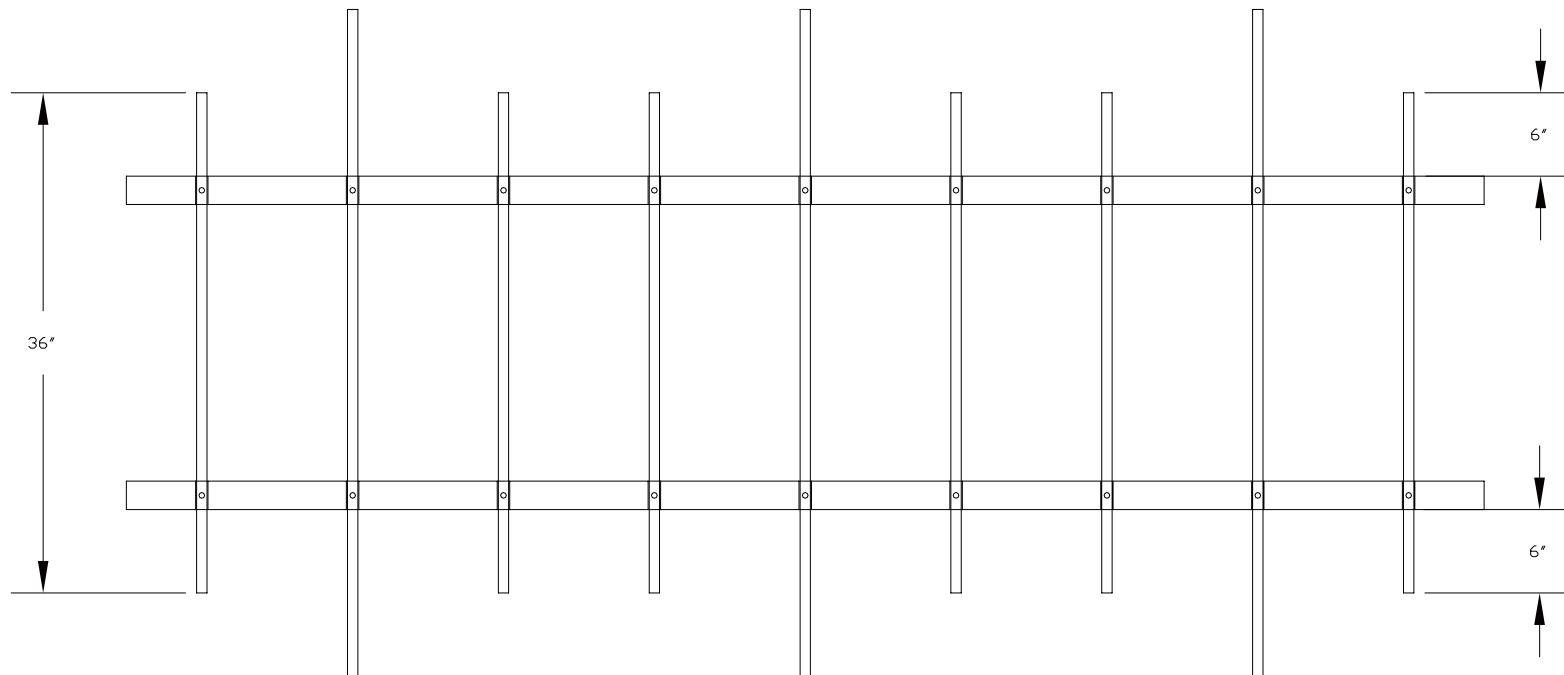
Notes:

- 1) Slide 6 Pieces Of The 36" PVC Pipe Through The Holes Marked "A".

Notes: (C) Copyright Ronald Yemans II - All Rights Reserved

Project Name: Cemetery Fence	File Name: Diagram 5	Supplier: the_count@halloweenpropshop.com	Part Number: N/A
Created By: Ronald Yemans	Date Created: 10/05/2003	Revised By: Ronald Yemans	Date Revised: 07/02/2005
			Sheet Number: N/A

Side View (1" Face) of 1" x 2" x 6' Firing Strip



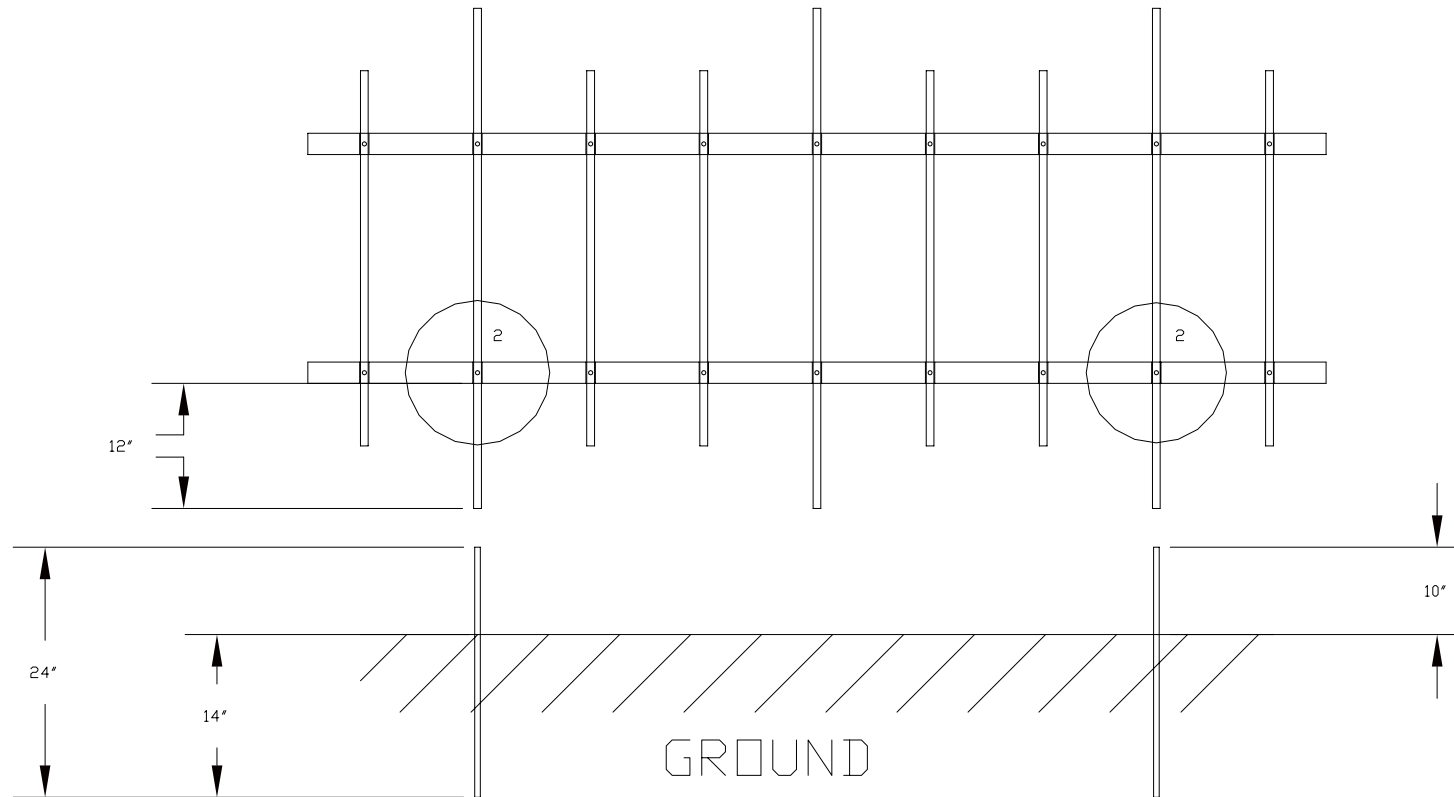
Notes:

- 1) The Small Circles Where The PVC Pipe Intersects The Firinf Strip Is Where The Pilot Holes For The Drywall Screws Are Drilled.

Notes: (C) Copyright Ronald Yemans II - All Rights Reserved

Project Name: Cemetery Fence	File Name: Diagram 7	Supplier: the_count@halloweenpropshop.com	Part Number: N/A
Created By: Ronald Yemans	Date Created: 10/05/2003	Revised By: Ronald Yemans	Date Revised: 07/02/2005
			Sheet Number: N/A

Completed Fence Section



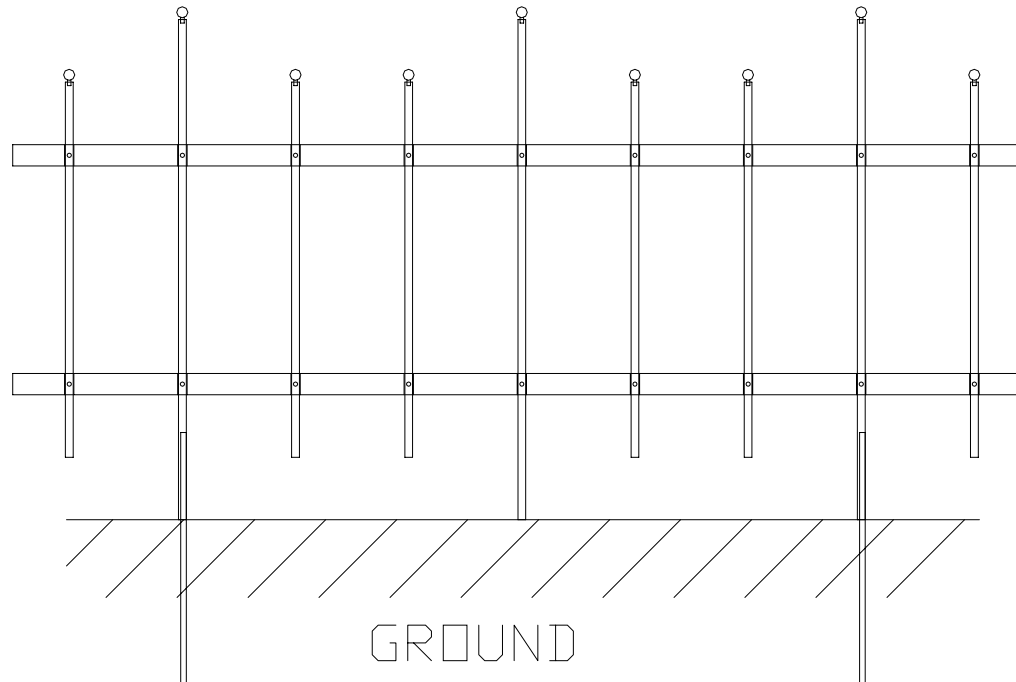
Notes:

- 1) Hammer The 24" Long 1/2" Dia. Rebar/rod Into The Ground By Aligning Them With The Outer Two 48" PVC Pipes.
- 2) Hammer The 24" Long 1/2" Rebar/rod So That Only 10" Remains Above Ground. This Will Prevent The Rebar/rod From Touching The Drywall Screws (see large circles).

Notes: (C) Copyright Ronald Yemmans II - All Rights Reserved

Project Name: Cemetery Fence	File Name: Diagram 8	Supplier: the_count@halloweenpropshop.com	Part Number: N/A
Created By: Ronald Yemmans	Date Created: 10/05/2003	Revised By: Ronald Yemmans	Date Revised: 07/02/2005
			Sheet Number: N/A

Fence Section Standing Up



Notes:

- 1) Slide Outer Two 48" PVC Pipes Over Rebar/rod To Stand The Fence Up.
- 1) Paint The Skull Whistles Glow Green And Insert Them In The Holes On Top Of Each PVC Pipe.

Notes: (C) Copyright Ronald Yemmans II - All Rights Reserved

Project Name: Cemetery Fence	File Name: Diagram 9	Supplier: the_count@halloweenpropshop.com	Part Number: N/A	
Created By: Ronald Yemmans	Date Created: 10/05/2003	Revised By: Ronald Yemmans	Date Revised: 07/02/2005	Sheet Number: N/A